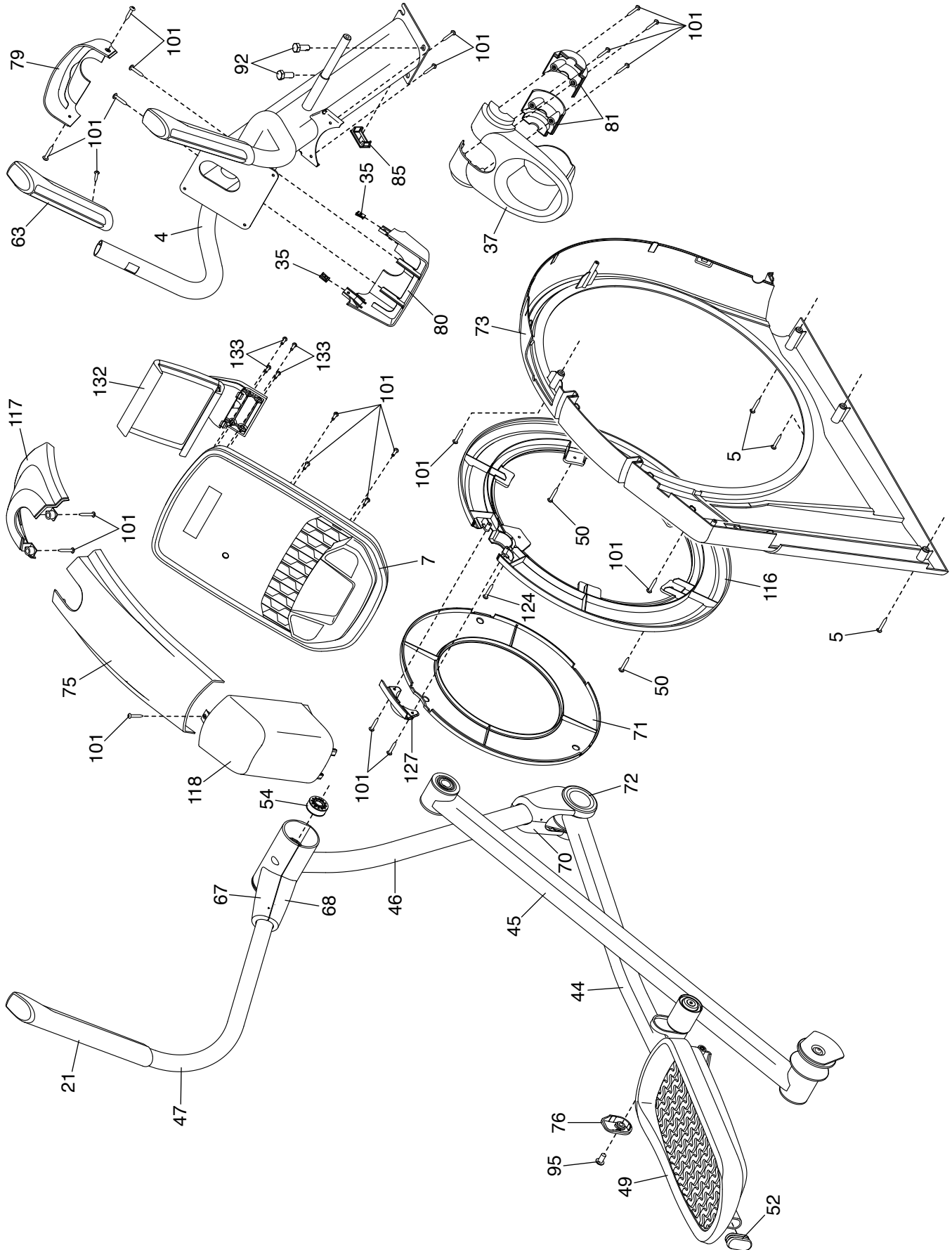


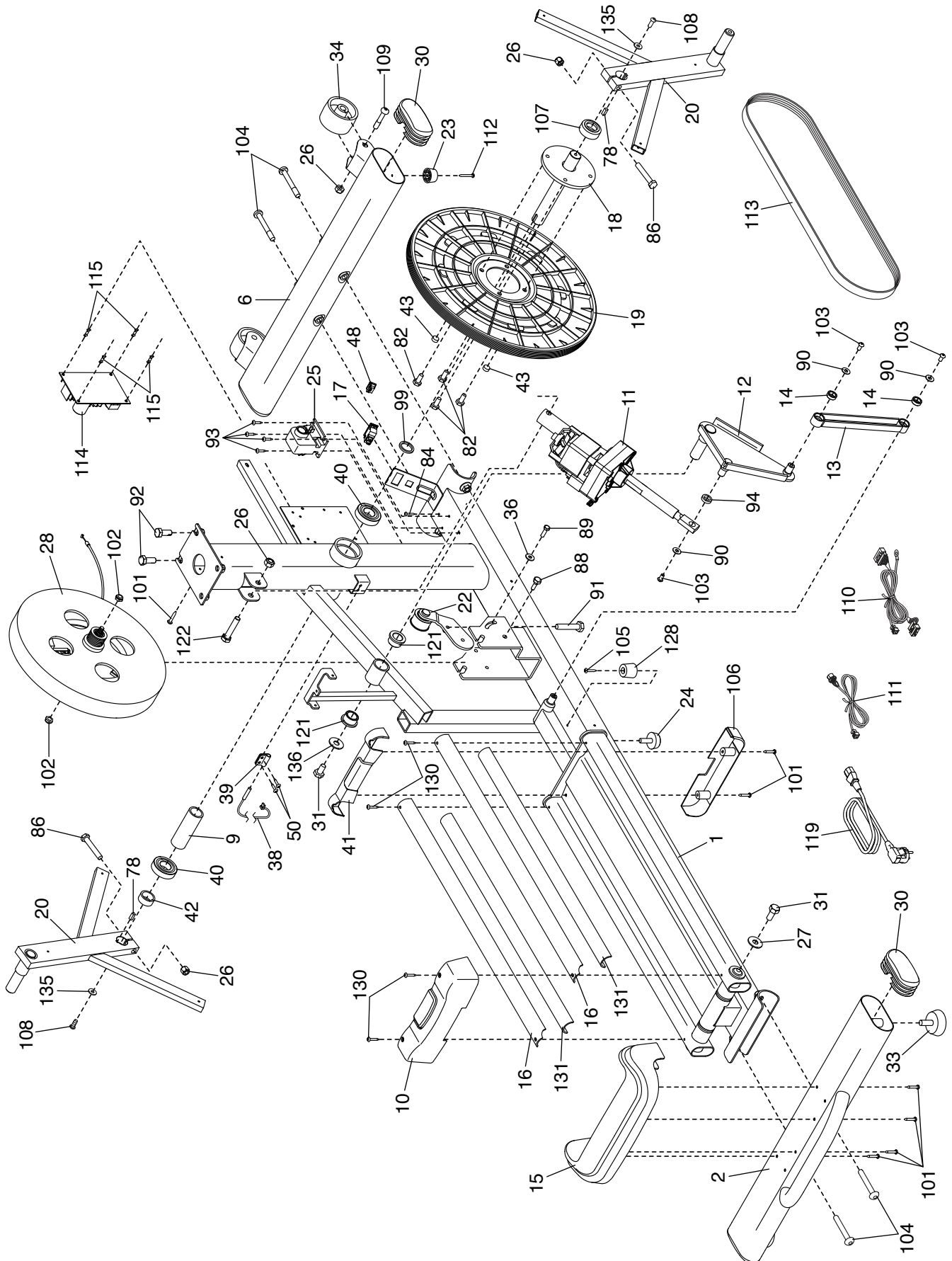
# EXPLODED DRAWING A

Model No. NTEVEL89818.2 R0620A



# EXPLODED DRAWING B

Model No. NTEVEL89818.2 R0620A



# EXPLODED DRAWING C

Model No. NTEVEL89818.2 R0620A

